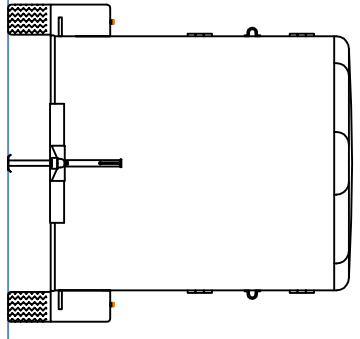
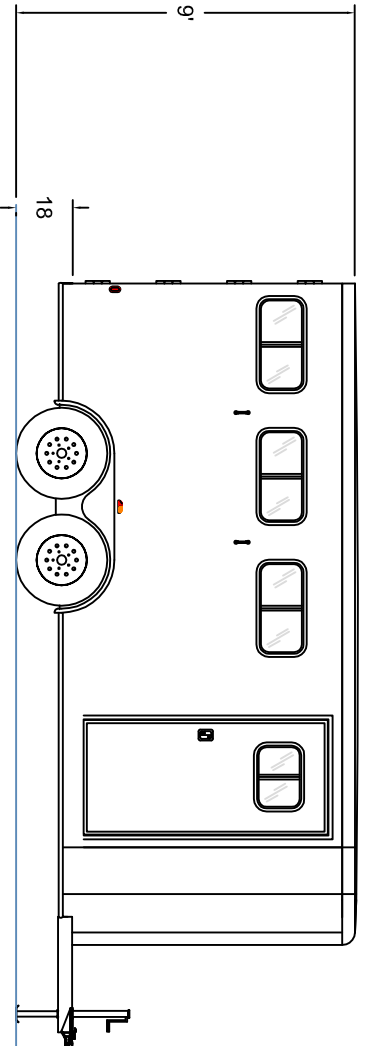


L3HSLBP
LAKOTA



PROPRIETARY AND CONFIDENTIAL
THE INFORMATION CONTAINED IN THIS DRAWING IS THE SOLE PROPERTY OF LAKOTA. ANY REPRODUCTION IN PART OR IN WHOLE WITHOUT THE WRITTEN PERMISSION OF LAKOTA IS STRICTLY PROHIBITED.

MODEL(S):	L3SLBP LAKOTA 30" NOSE
TITLE:	FLOORPLAN
DATE:	10/29/14
FILE:	2014 MODEL YEAR
DWG #:	
SCALE:	N/A
Rev.	
	SHEET: 1 OF 1

LAKOTA TRAILERS